

■ Absolute Maximum Rating

Item	Symbol	Absolute Maximum Rating	Unit
Forward Current	I _F	60	mA
Peak Forward Current*	I _{FP}	300	mA
Reverse Voltage	V _R	5	V
Power Dissipation	P _D	500	mW
Electrostatic discharge	E _{SD}	400	V
Operation Temperature	T _{opr}	-25 ∞ +80	°C
Storage Temperature	T _{stg}	-40 ∞ +80	°C
Lead Soldering Temperature*	T _{sol}	Max. 260°C for 5sec Max.	

*I_{FP} Conditions : Pulse Width ≤ 10msec duty ≤ 1/10

*T_{sol} Conditions : 3mm from the base of the epoxy bulb

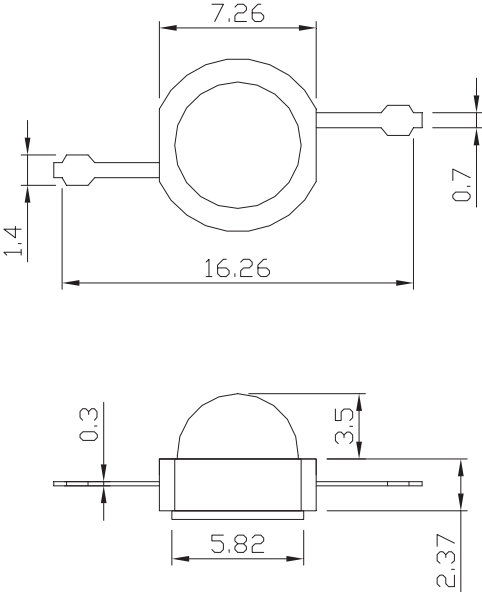
■ Typical Optical/ Electrical Characteristics

	Symbol	Condition	Min.	Typ.	Max.	Unit
Forward Voltage	V _F	I _F =60mA	6.8	7.0	7.5	V
Reverse Current	I _R	V _r =5V	--	--	10	uA
50% Power Angle	2θ 1/2	I _F =60mA	--	90	--	deg
Luminous Flux	φ _v	I _F =60mA	--	0.6	--	lm
Peak Wavelength	λ _P	I _F =60mA	415	--	420	nm
Recommend Forward Current	I _F (rec)	--	--	60	--	mA

Notes:

1. Absolute maximum ratings T_a=25°C .
2. Tolerance of measurement of forward voltage ± 0.1V.
3. Tolerance of measurement of peak Wavelength ± 2.0nm.
4. Tolerance of measurement of Luminous Flux ± 15%.

■ Package Dimensions And Materials



Chip		Lens Color
Material	Emitting Color	
InGaN/GaN	Violet	Water clear

Notes:

- 1. All dimension units are millimeters.
- 2. All dimension tolerance is $\pm 0.2\text{mm}$ unless otherwise noted.